

GP6500E

GP SERIES
Commercial/Residential
Portable Generators

1 of 2

Features

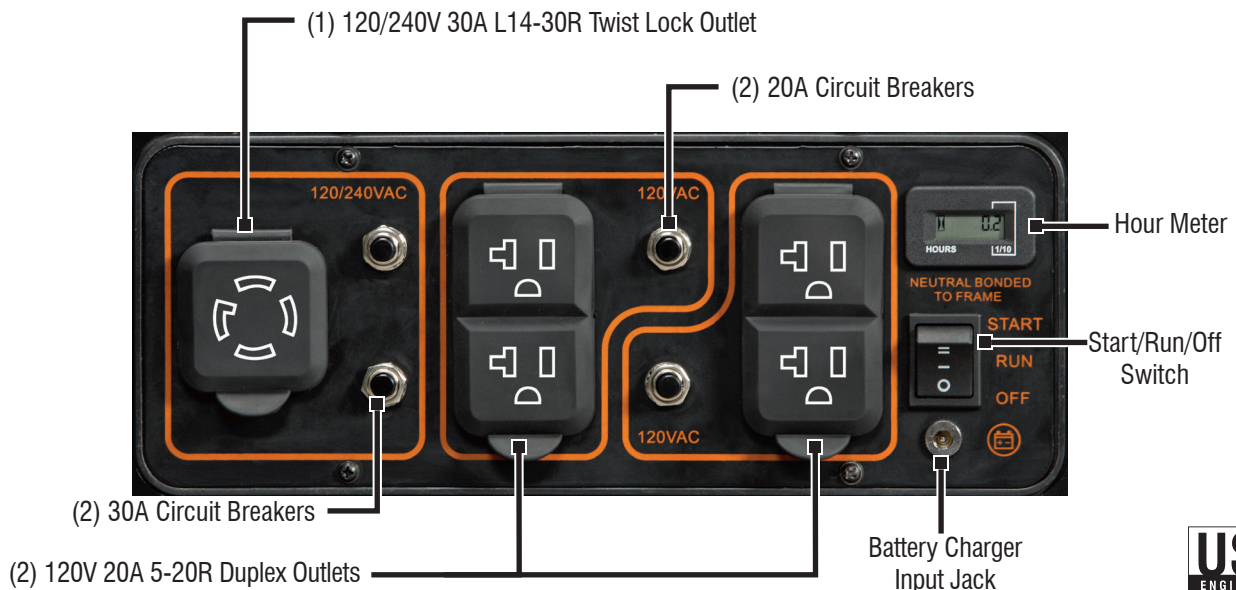
Models 5941-3 UPC: 696471059410
(49ST)

- **The Generac OHV engine** with splash lubrication provides a long engine life.
- **Single touch electric start**, battery included, provides hassle-free start-up.
- **Hour Meter** tracks maintenance intervals.
- **Large-capacity steel fuel tank** with incorporated fuel gauge provides durability and extended run times.
- **Low-oil level shutdown** automatically safeguards engine from damage.
- **Covered outlets** provides added protection from the environment and rugged working conditions.
- **Hardened 1 1/4" steel tube cradle** for added durability and strength.
- **Fold-down, locking handle** for sturdy portability and compact storage.
- **Heavy-duty, never flat wheels** for reliable portability.
- **Plug-in battery charger jack** keeps battery charged and ready to go.



AC Rated Output Running Watts 6500
AC Maximum Output Starting Watts 8125

49-State Control Panel



GP6500E

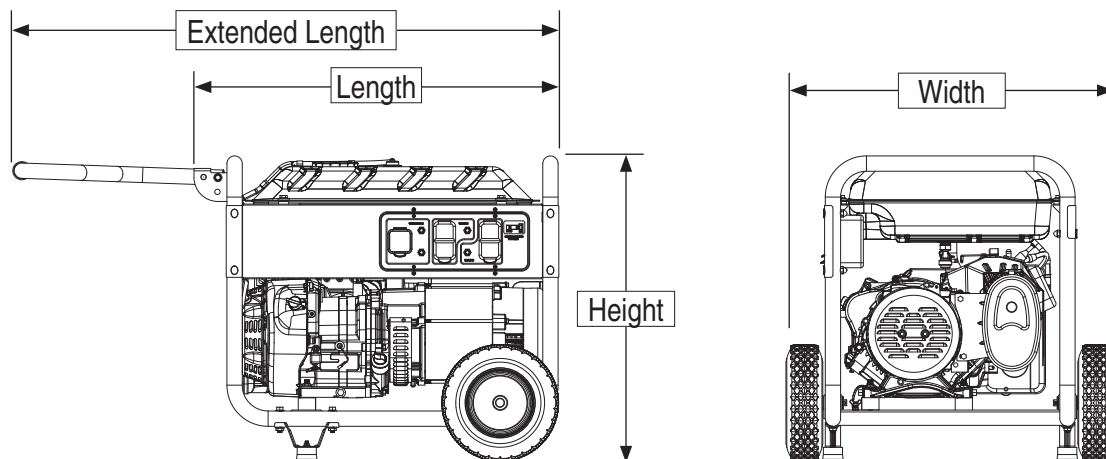
specifications

| | |
|---|----------------------------|
| Product Series | GP6500E |
| Model (Configuration) | 5941-3 (EPA) |
| AC Rated Output Running Watts: | 6500 |
| AC Maximum Output Motor Starting Watts: | 8125 |
| AC Voltage | 120/240 VAC |
| AC Frequency | 60 Hz |
| Rated VAC Amperage | 54.2/27.1 |
| Max Rated VAC Amperage | 67.8/33.9 |
| Engine Displacement | 389cc |
| Engine Type | OHV |
| Engine RPM | 3600 |
| Recommended Oil | 10W-30 / SAE30 |
| Lubrication Method | Splash |
| Choke Location | On Engine |
| Fuel Shut Off | On Fuel Tank |
| Starting Method | Electric/Recoil Pull Start |
| Low Oil Shutdown Method | Low Level |
| Battery Type | 12VDC, 10AH |
| Battery Charger Input Jack | Included |
| Neutral Bonded to Ground | Yes |

| | |
|------------------------------|--------------------------|
| Start Switch Type | Start/Run/Off Switch |
| Switch Location | On Control Panel |
| Fuel Gauge | Built-In Tank |
| Fuel Tank Capacity Gal (Ltr) | 7.2 (27.3) |
| Run Time at 50% (Hours) | 10 |
| Handle Style | Single Folding / Locking |
| Wheel Type | 9.5" Solid Wheels |
| Maintenance Kit | Sold Separately |
| Warranty - Residential | 2 Year Ltd |
| Warranty - Commercial | 1 Year Ltd |

Dimensions and Weights

| | |
|--------------------------|-------------|
| Length in (mm) | 27.25 (692) |
| Width in (mm) | 27 (687) |
| Height in (mm) | 25 (638) |
| Extended Length in (mm) | 44.5 (1129) |
| Carton Length in (mm) | 31 (790) |
| Carton Width in (mm) | 21.5 (550) |
| Carton Height in (mm) | 23.25 (590) |
| Unit Weight lbs (kg) | 186 (84.4) |
| Shipping Weight lbs (kg) | 209 (94.9) |



GENERAC[®]

Generac Power Systems, Inc. • P.O. Box 8, Waukesha, WI 53187 • generac.com

©2012 Generac Power Systems, Inc. All rights reserved. All specifications are subject to change without notice. Bulletin 0197810SBY-A / Printed in U.S.A. 12/13/12